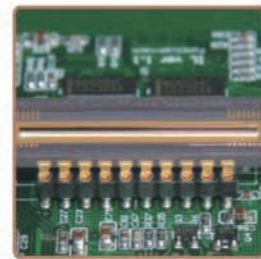


# 产量大、精度高、带出少、性能稳定、超高性价比!



## QW 系列CCD全数字智能小麦色选机 QW-SERIES CCD COLOR SORTER

永祥QW系列CCD全数字智能小麦色选机是根据现代面粉加工企业生产实际需要,综合永祥长期色选技术和经验,采用国际名牌零部件,精心设计、制造具有国际水平的专业小麦色选机,该机智能化程度高、产量大(10-24吨/小时),性能卓越、功能强大,运行平稳,识别能力强,能彻底解决小麦中多种异色粒及霉变粒的剔除难题,确保小麦品质提升及面粉的自然洁白与纯净(本机同样适用于麦类如荞麦、燕麦、大麦的精细加工),是目前国内性价比最高的小麦色选机,用户可以较低的成本,大幅提高产品等级,获得良好的经济效益,值得现代面粉加工企业拥有。

YongXiang QW Series CCD Color Sorter is an international standard professional sorter, in accordance with the actual needs of the modern wheat-flour processing. The QW Series Sorter is carefully designed with long-term sorting experience, and manufactured with international brand-name parts. The machine is of high intelligence, large production (10-24 t/h), excellent performance, smooth running, and especially good at eliminating many kinds of defects. This color sorter is currently most cost-effective, so users can greatly improve the product grade by lower costs. It worth modern flour mills have.

### 产品特点 FEATURES



顶级2048像素高速CCD传感器配合专业FPGA图像处理算法,分辨能力强,识别率高,细微色差和针点瑕疵都能轻松识别,特别适合剔除小麦中的霉变粒、病斑粒、鼠屎、草籽、石子等异物。

2048 pixels high-sensitivity CCD sensor with professional processing algorithms, very good image quality with extremely low noise, thus the defects can be easily identified. It's especially suitable for eliminating mildewed and spotted wheat, mouse droppings, seeds, small stones and other impurities.

专业特制最佳发光波长LED光源,寿命长(三年以上),发光稳定,无频闪,满足高精度、大产量色选的光源要求,又降低用户使用成本。

The LED lamps with special wavelength have very long life (more than three years). It uses patented technology to reduce working noise. The LED lamps have good stability and are cost-effective.



新型高速单体喷阀,频率高达1100Hz以上,开关速度快、控制精准不拖尾,剔除精度高,带出低,耗气省,产量大,使用寿命长(超过10亿次以上可保用三年),大幅提高色选效果。

New generation high-speed single ejector, frequency up to 1100Hz above, fast switching speed, precise control without air tail, high hitting accuracy, low bring out, less air consumption, large production, and long life (more than 1 billion times, insurable with three years).



具备加热功能的大型滑槽,表面经特殊处理,光滑耐磨,不跳麦,保证高精度、大产量色选效果的稳定,有效降低带出比。

Large chute with special treatment on the surface, smooth wear, so wheat is not easy to jump to ensure the stability of the color sorting effect. The smooth chute can also reduce the carry out.

精心设计的人性化操作界面,智能化程度高,功能强大,层次分明,更换小麦色选品种可一键智能调整整机参数,方便用户,简洁易用。

A well-designed Human Interface, intelligent, powerful, clearly structured with 3 grade password. The "One-key Intelligent Adjustment" function is very user-friendly, simple and easy to use.

本机大量采用国际名牌零部件,配合先进的生产工艺,完善的电路设计,大大增强系统可靠性,整机运行状态全面实现在线监控。

The machine has greatly enhancing system reliability. It uses many international brand-name parts, designed with optimized circuits, manufactured with advanced arts and crafts. It has intelligent On-board monitoring system such as temperature, voltage, current, ejector working state, etc.



### 产品功能 PRODUCT

小麦原粮 Raw grain of wheat



小麦成品与剔除物 Final product and rejects



霉变粒: mildewed wheat



草籽: seeds



病斑粒: spotted wheat

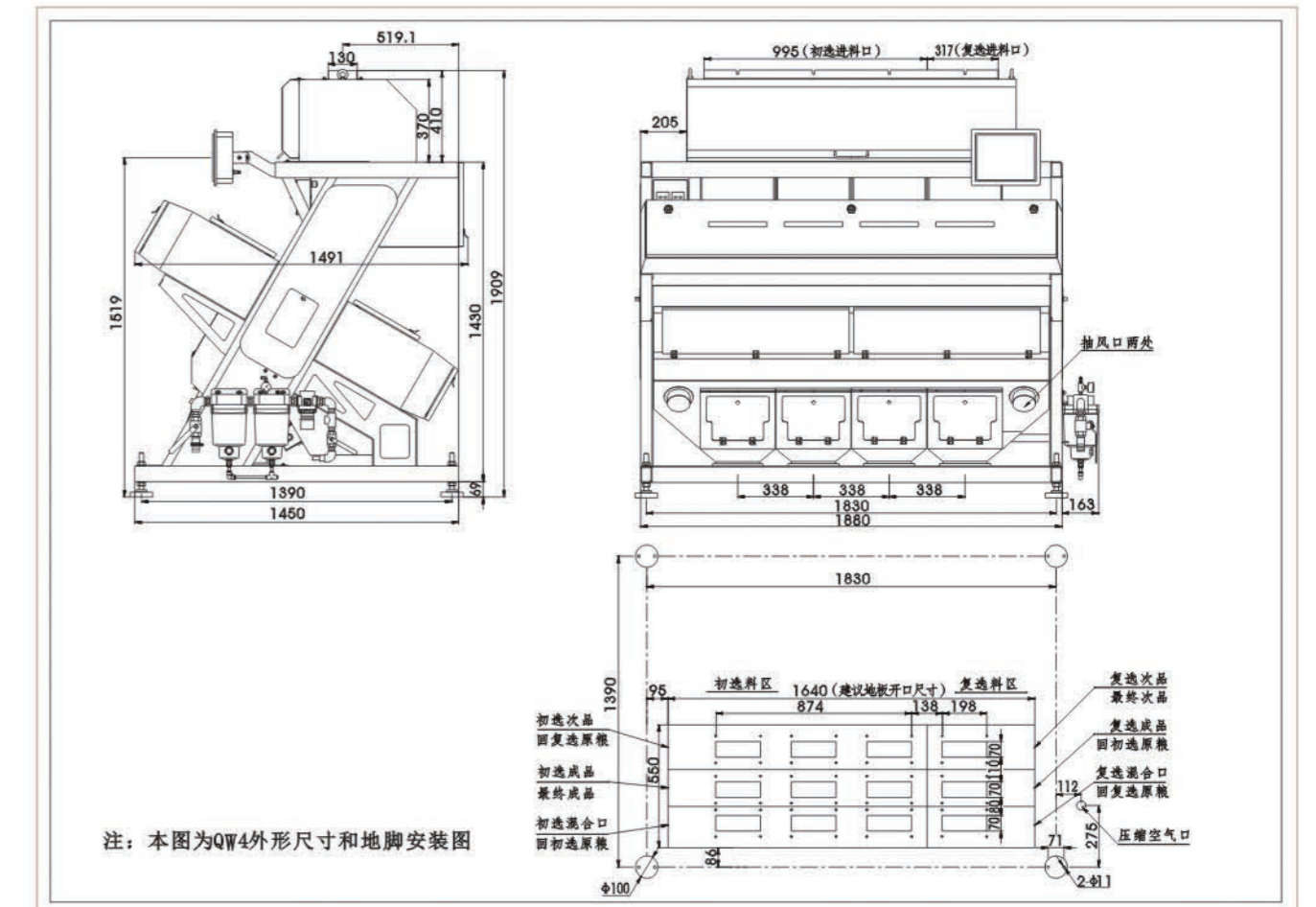
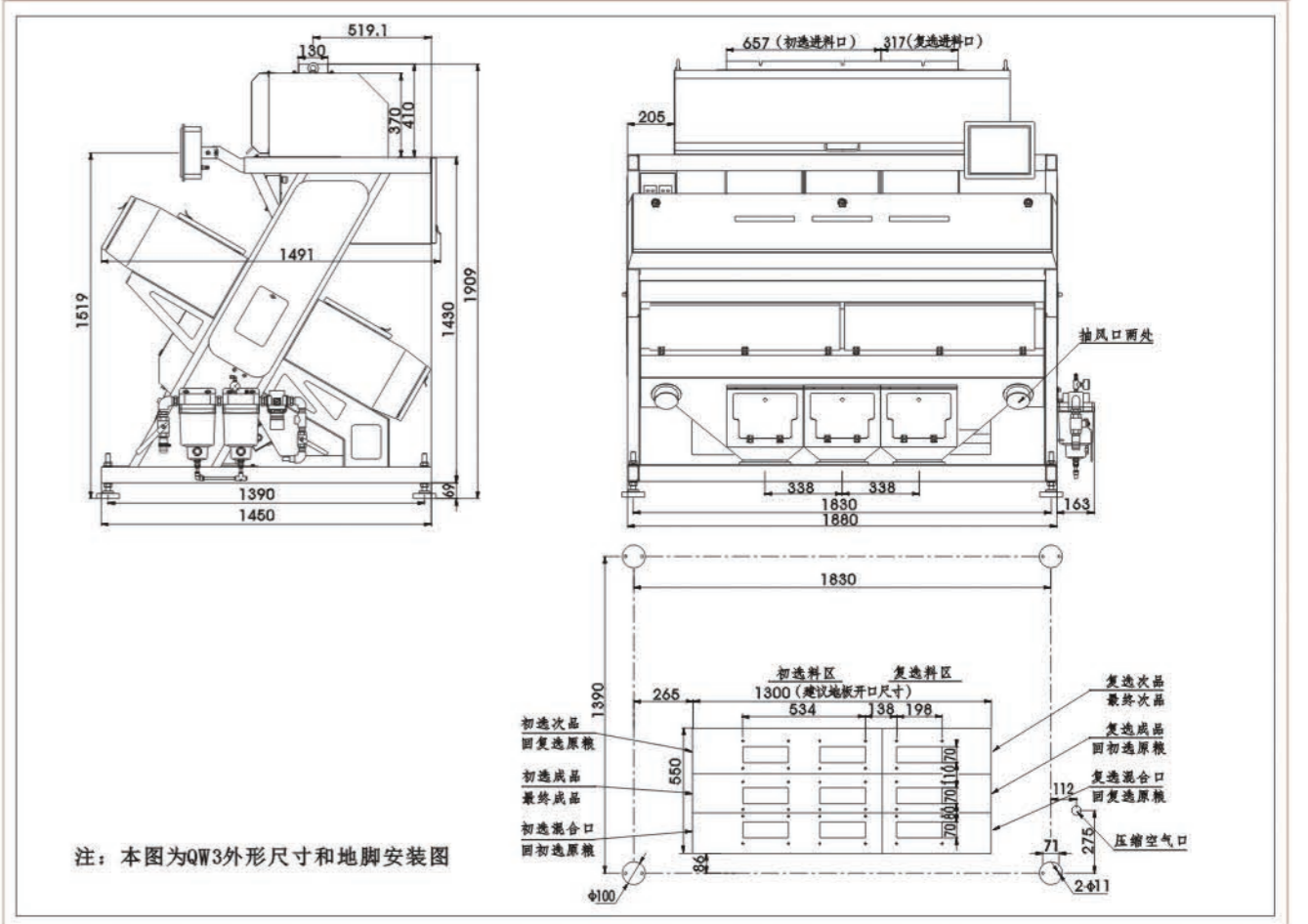


石子: small stones



### 外形尺寸与地脚安装图 OVERALL DIMENSION

永祥  
YONGXIANG





## 系列CCD全数字智能小麦色选机

QW-SERIES CCD COLOR SORTER

**超高性价比**  
Highly cost effective



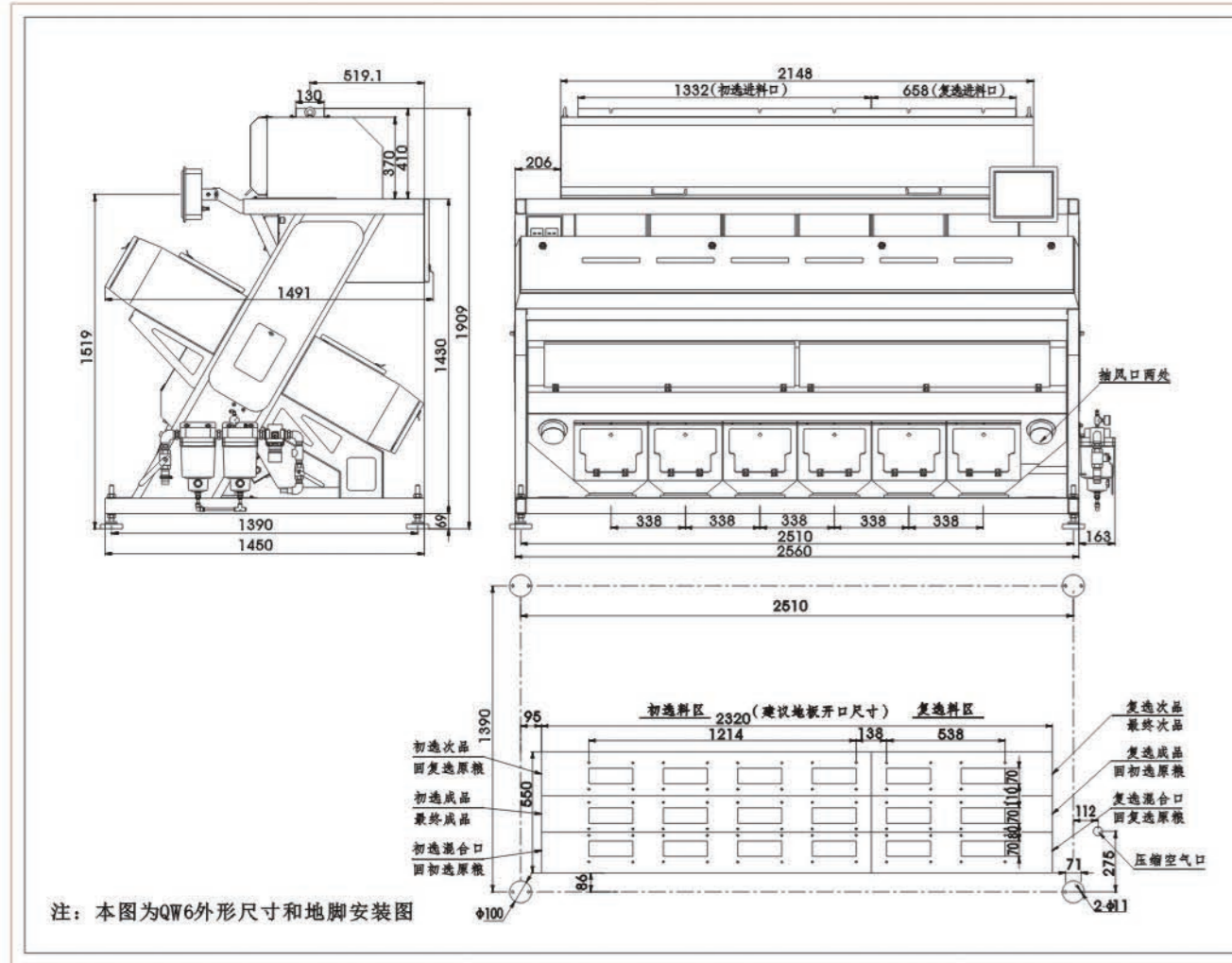
**产量大**  
Big capacity

**精度高**  
High accuracy

**带出少**  
Less carryover

**性能稳定**  
Stable performance

### 外形尺寸与地脚安装图 OVERALL DIMENSION



### 主要技术参数 MAIN TECHNICAL DATA

参数 Data	型号 Model	QW3	QW4	QW5	QW6	QW7
通道数 Channels		240	320	400	480	560
处理量 Capacity(t/h)		6-10	8-14	10-16	12-20	14-24
色选精度 Sorting accuracy (%)		>99.98				
最优带出比 Optimized carryover (bad:good)		(坏:好)>8:1				
主机功率 Power(kW)		1.8	2.2	2.6	2.8	3.0
加热膜功率 Chutes with heater (kW)		0.8	1.0	1.3	1.5	1.8
电源 Input Voltage (V)		220V (±10%)				
气源压力 Air pressure (MPa)		0.6-0.8				
气源消耗 Air consumption (m <sup>3</sup> /min)		<1.8	<2.4	<3.0	<3.6	<4.2
机器重量 Weight (Kg)		1050	1120	1200	1330	1480
外形尺寸 Dimension LxWxH(mm)		2050x1510x1910	2050x1510x1910	2390x1510x1910	2730x1510x1910	3070x1510x1910

注：表中列举性能指标以小麦含深色素质(1%)为例，具体性能指标将因物料、含杂、产量不同而有变动。以上参数指标如有改进，恕不另行通知。  
Note: The above data is based on 1% dark contamination wheat material, and real output depends on the wheat material and its contamination. If products update, no further notice.

通过ISO9001国际标准质量体系认证 ISO 9001-2008 Certified

E-mail: yongxiangmiji@sohu.com http://www.hbyxlj.com

地址：湖北省安陆市府河大道2号

ADD: 2 FUHE AVE., ANLU CITY, HUBEI, CHINA

电话(TEL): 0712-5254443 5254445 5258762 传真(FAX): 0712-5254443 邮编(POSTCODE): 432600

湖北永祥粮食机械股份有限公司

HUBEI YONGXIANG FOOD PROCESSING MACHINE CO.,LTD.